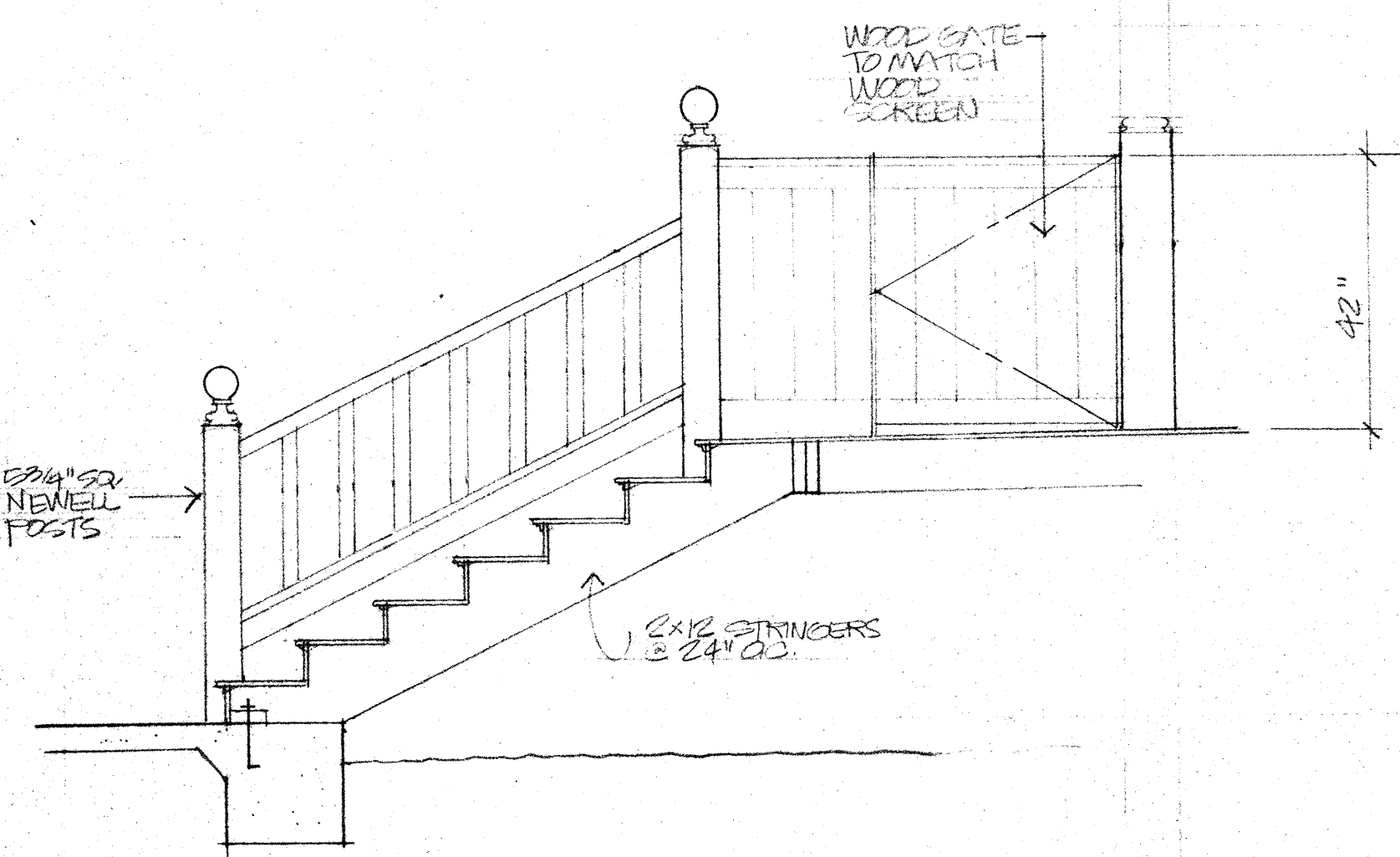


NORTH ELEVATION

1/4" = 1'-0"

PREPARED BY:  
 THE OFFICE OF TIM ANDERSEN  
 28 N. MARQUESS AVE. PASADENA, CA 91101 (916) 792-1974

RENOVATION OF MARRY HALL FOR:  
 CALIFORNIA COLLEGE OF ARTS AND CRAFTS  
 5212 BROADWAY OAKLAND, CA 94612 (415) 863-8118



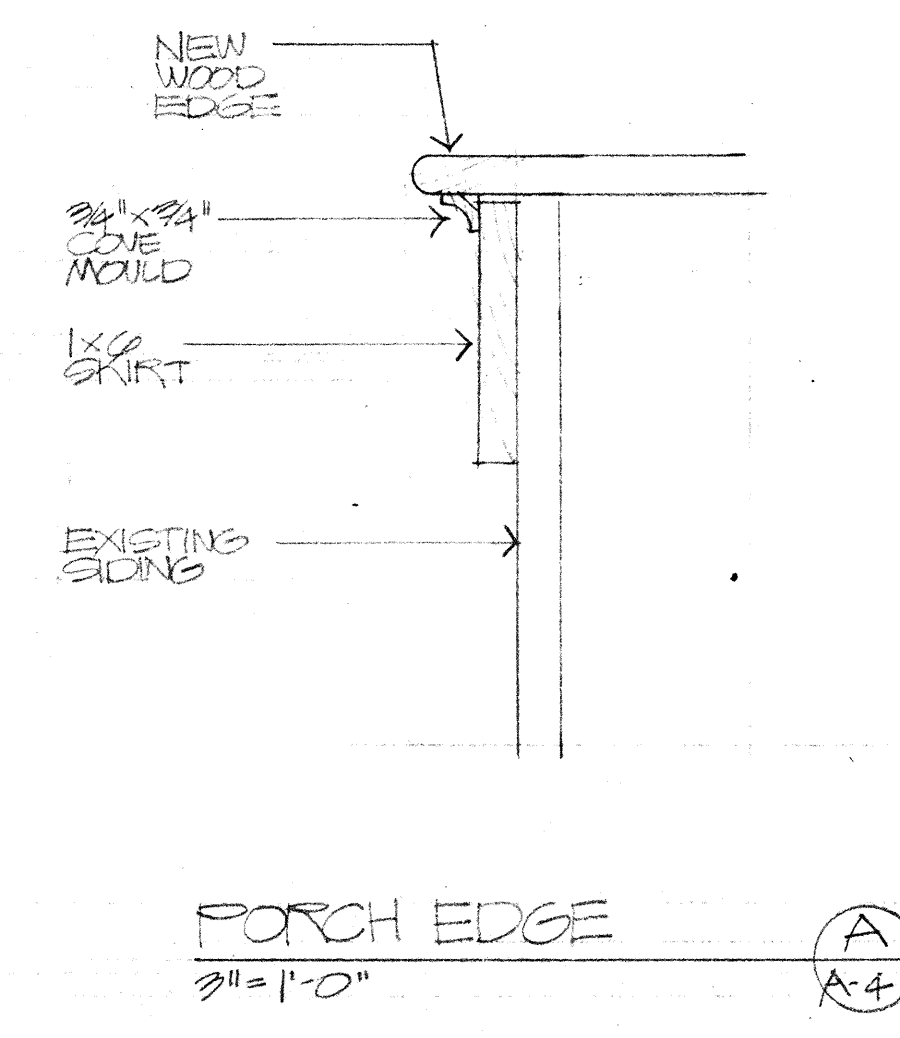
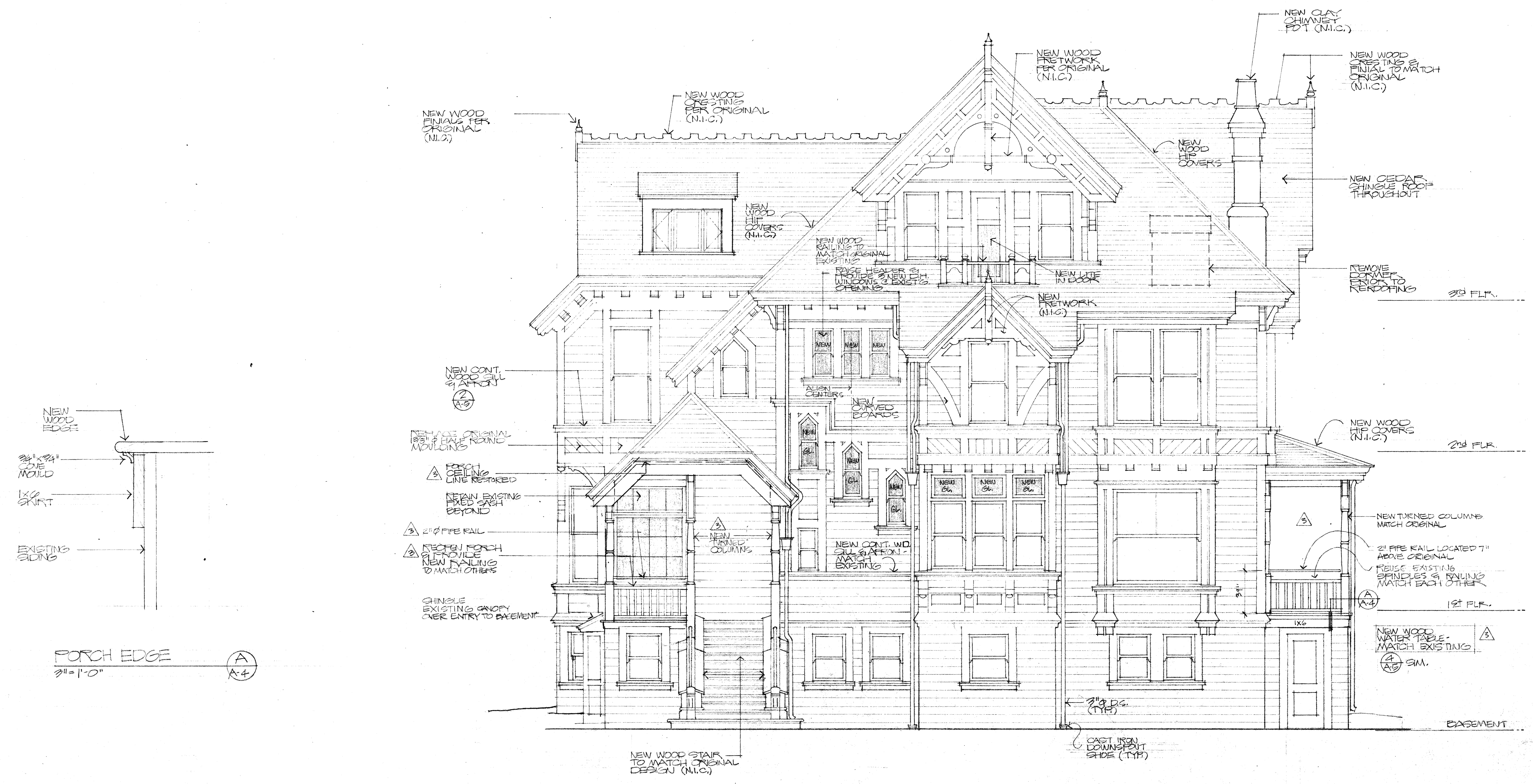
EXTERIOR STAIR SECTION  
1/2" = 1'-0"

(A)



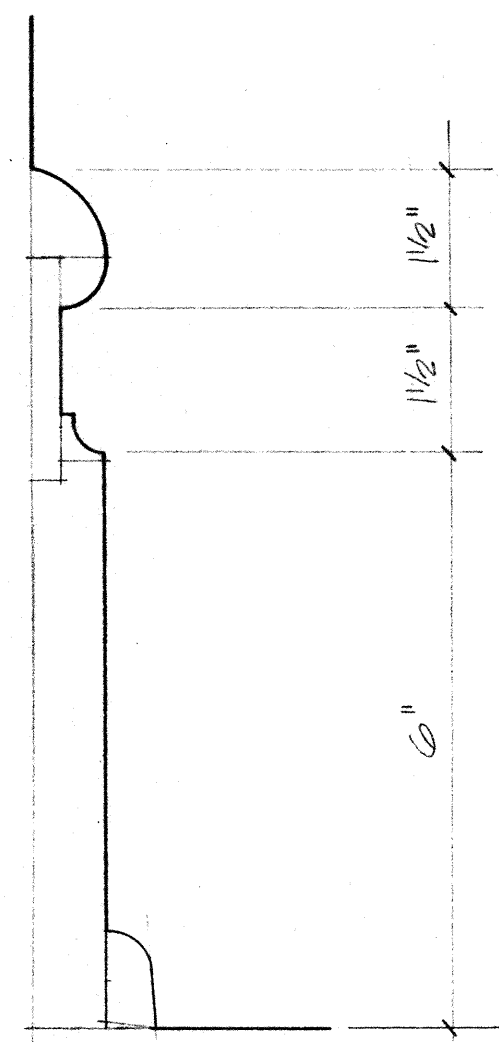
EAST ELEVATION  
1/4" = 1'-0"



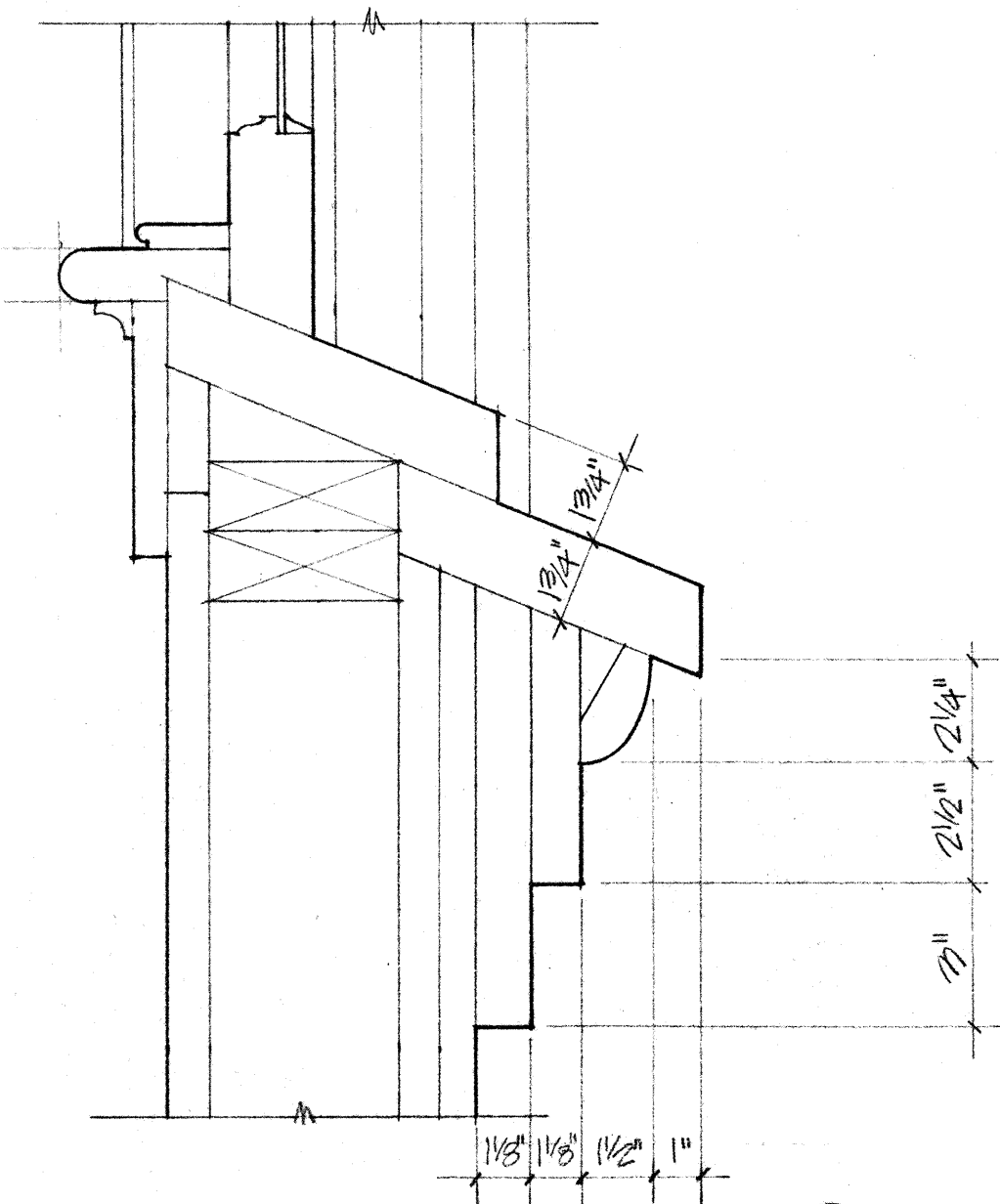


WEST ELEVATION  
 1/4" = 1'-0"

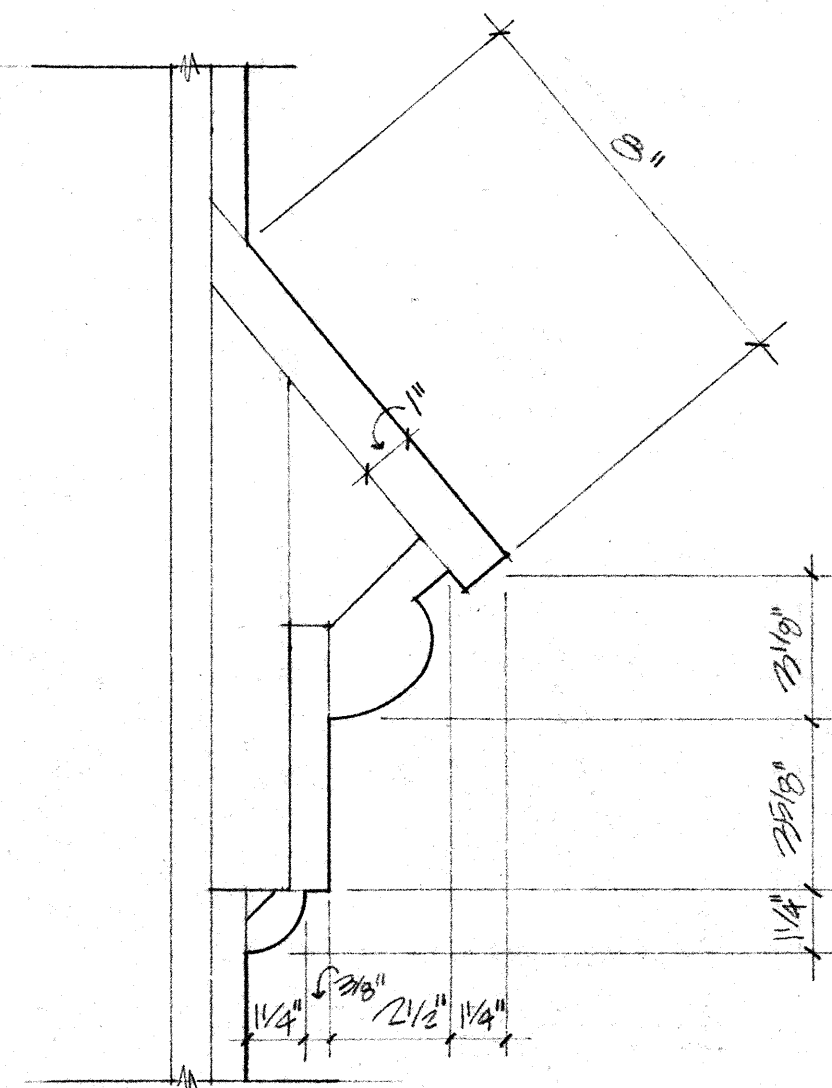
22 JUNE 1988 - MODIFY PORCH COLUMN AND RAILING DESIGN TO MATCH ORIGINAL. ADD 2" Ø PIPE RAIL. DELETE WATER TABLE AT SOUTH PORCH FROM SCOPE OF WORK.



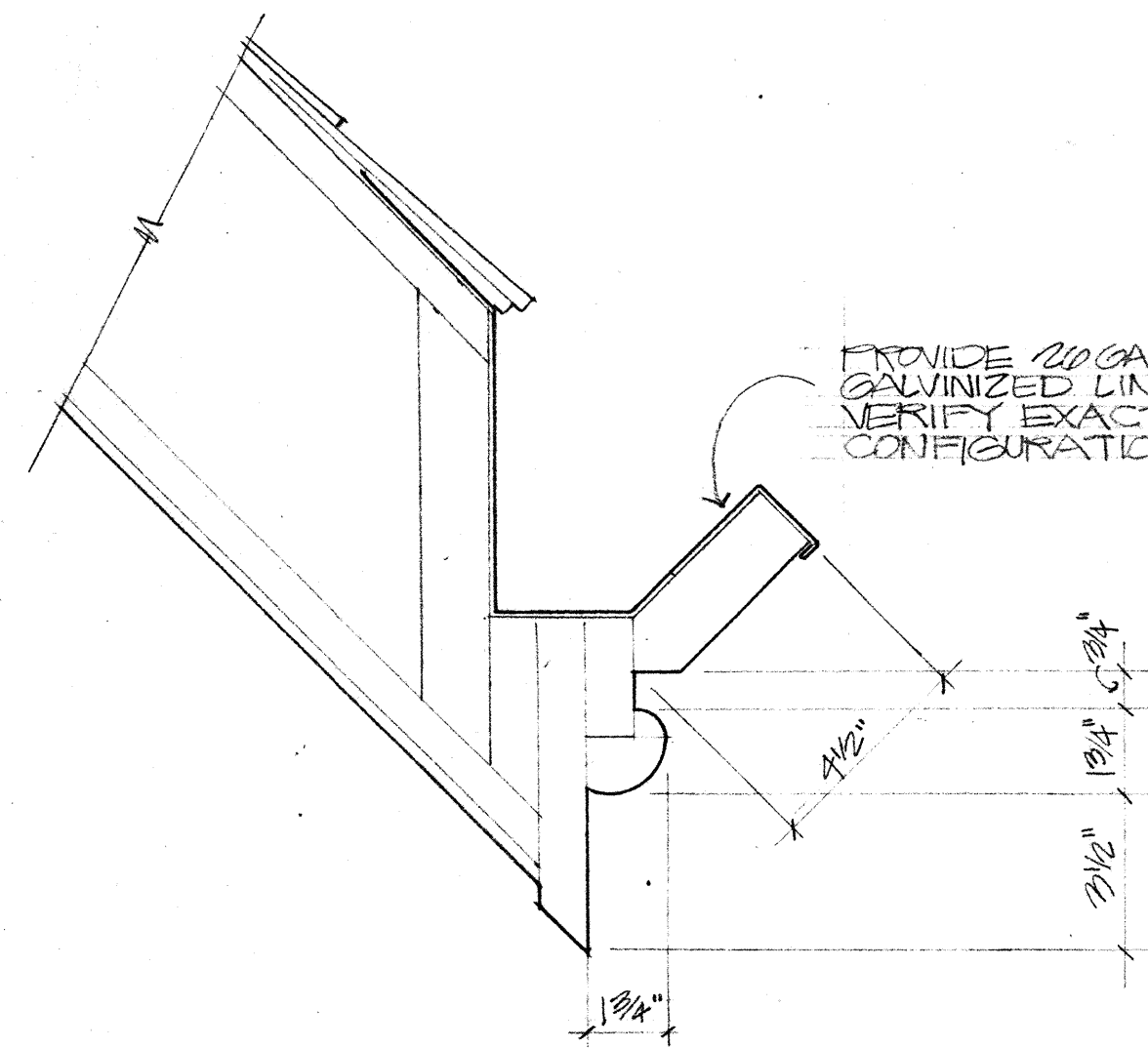
**BASEBOARD PROFILE**  
 6" = 1'-0"  
 • VERIFY DIMENSIONS



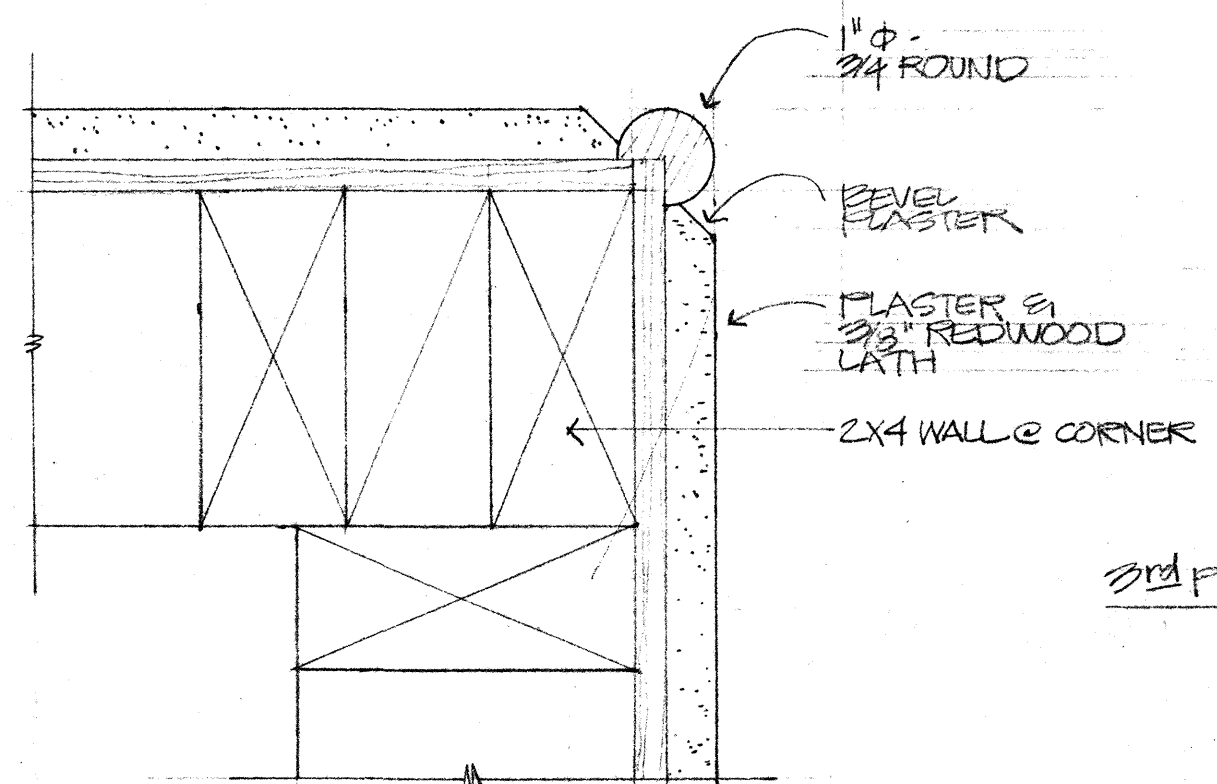
**SILL PROFILE**  
 5" = 1'-0"  
 • VERIFY DIMENSIONS



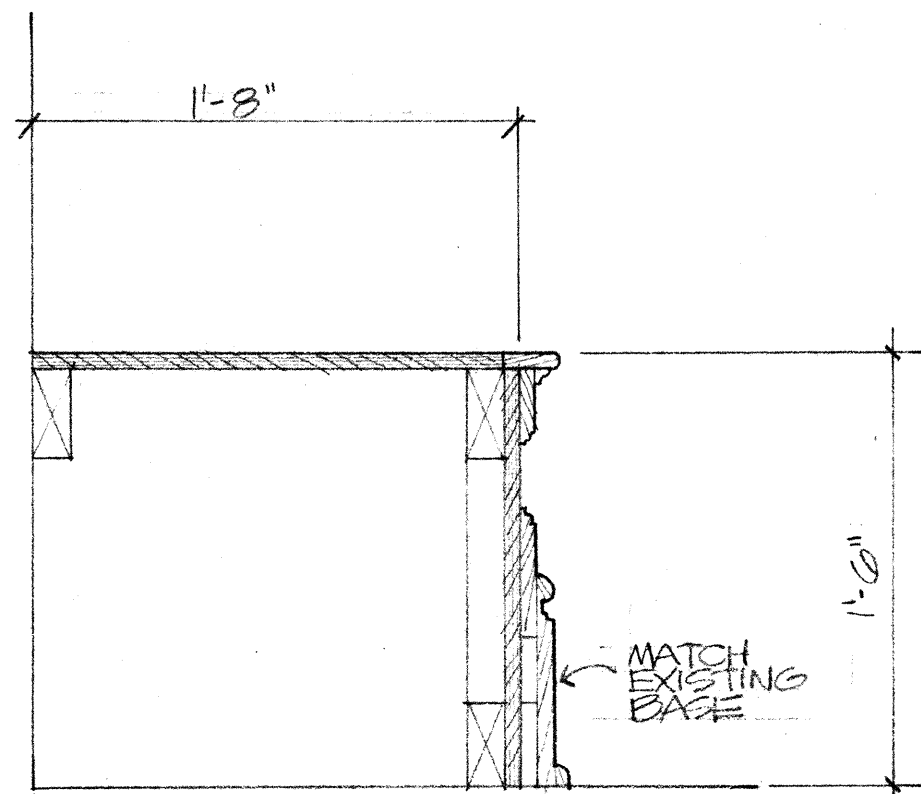
**WATER TABLE PROFILE**  
 5" = 1'-0"  
 • VERIFY DIMENSIONS



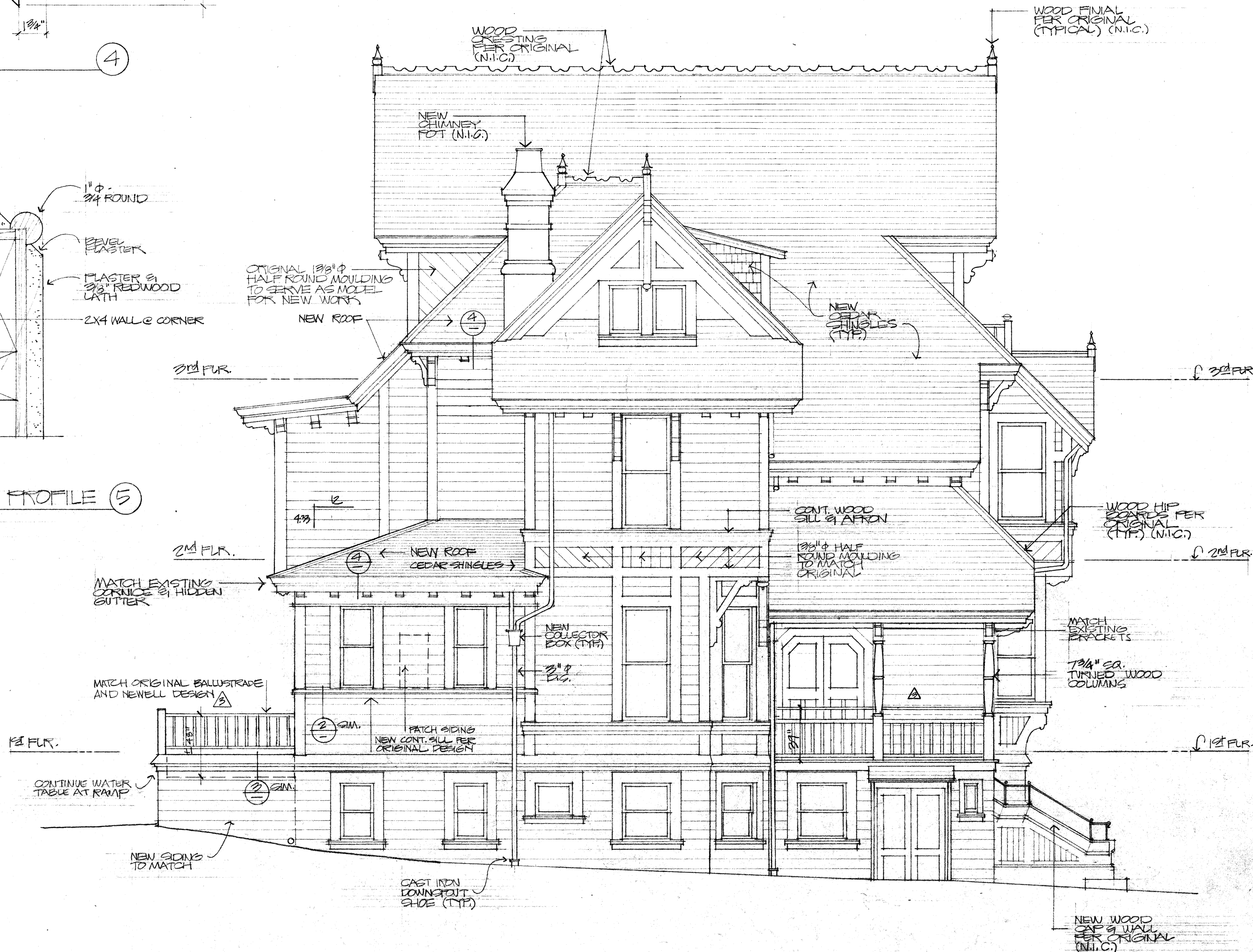
**EAVE PROFILE**  
 3" = 1'-0"  
 • VERIFY DIMENSIONS



**OUTSIDE CORNER PROFILE**  
 6" = 1'-0"  
 • VERIFY DIMENSIONS

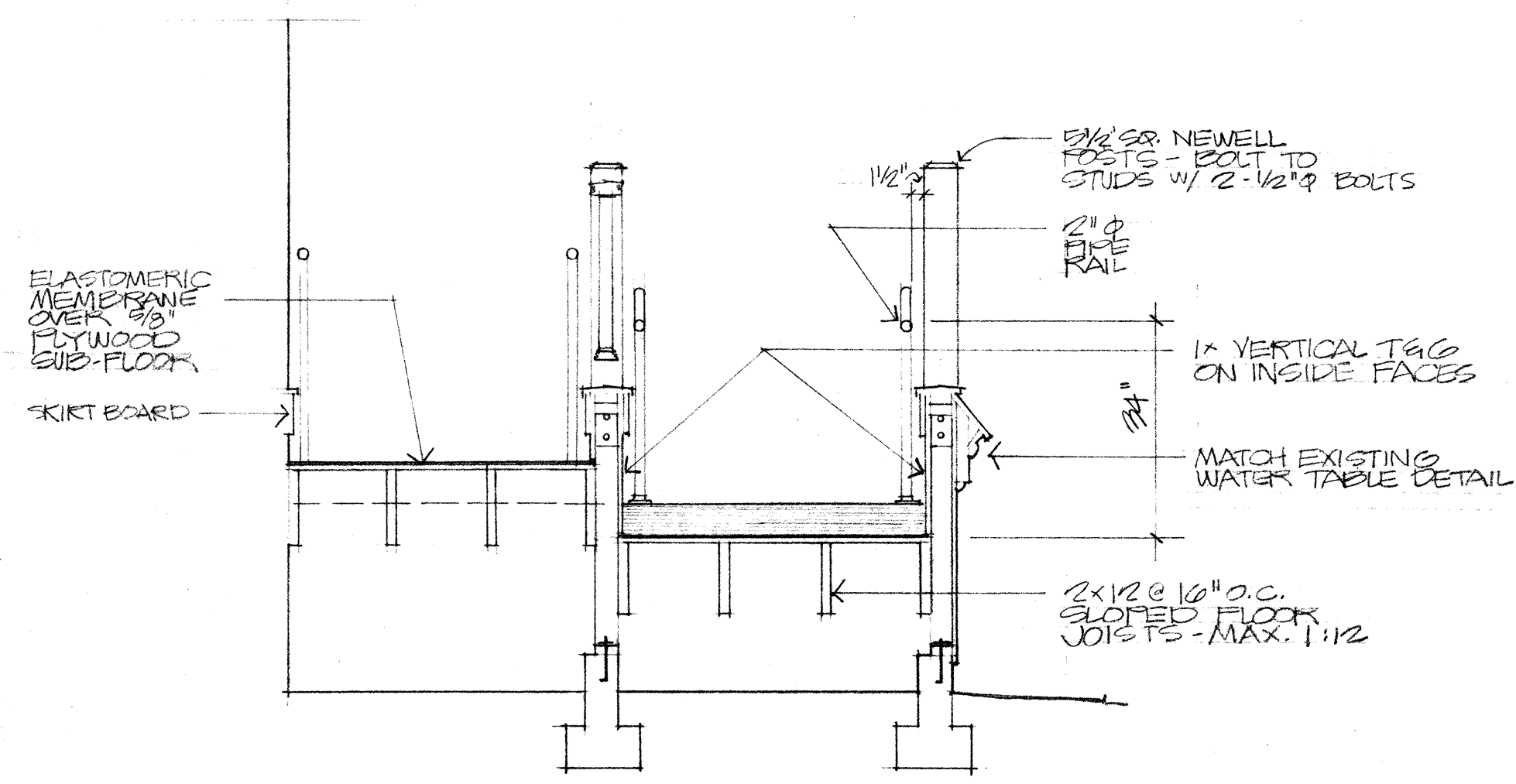


**BENCH (N.I.C.)**  
 1 1/2" = 1'-0"  
 • VERIFY DIMENSIONS

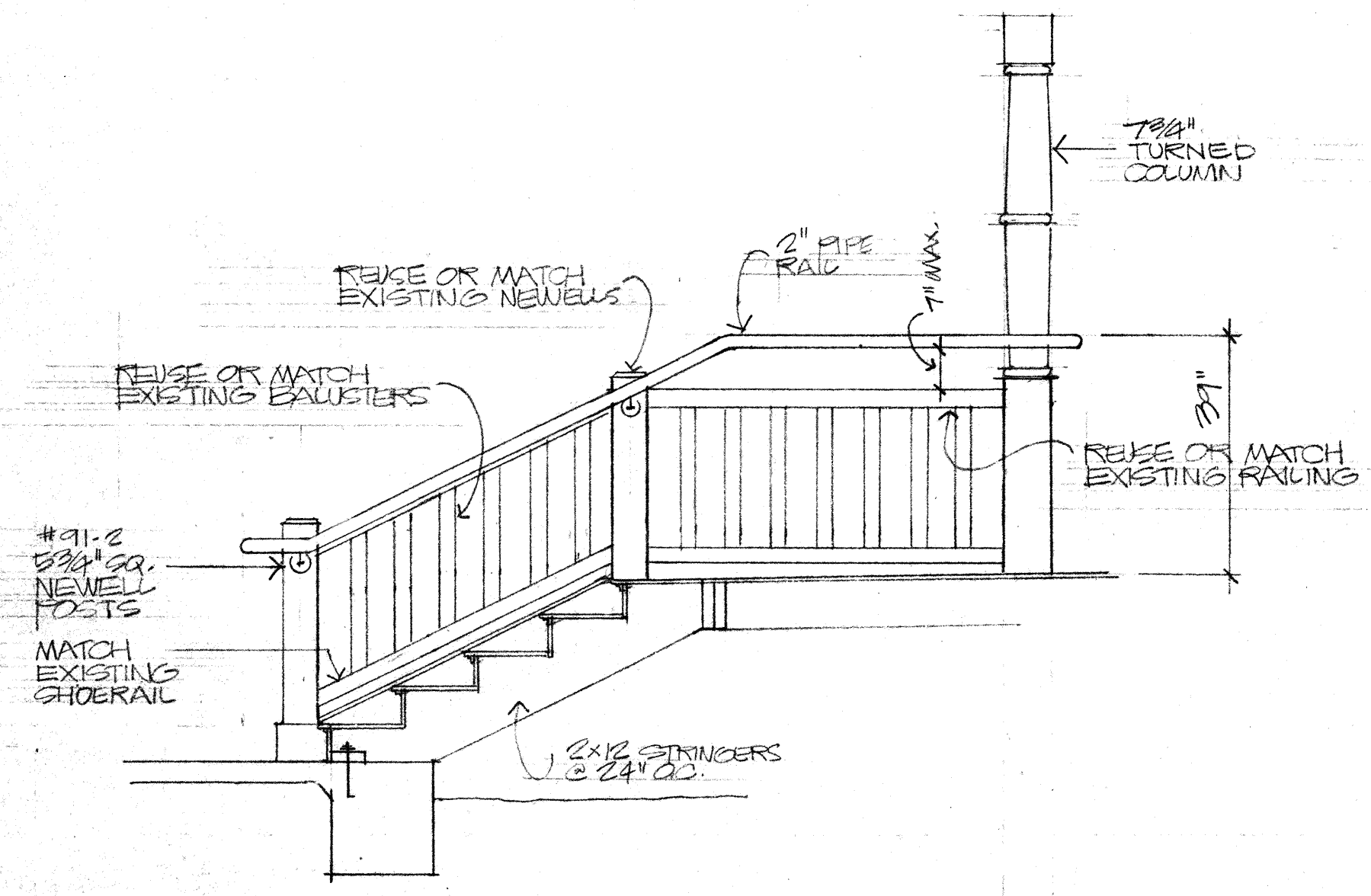


**NORTH ELEVATION**  
 1/4" = 1'-0"

22 JUNE 1988 - MODIFY PORCH COLUMN & RAILING DESIGN TO MATCH ORIGINAL. ADD 2" PIPE RAIL



SECTION THROUGH RAMP  
1/2" = 1'-0"



EXTERIOR STAIR SECTION  
1/2" = 1'-0"



EAST ELEVATION  
1/4" = 1'-0"

22 JUNE 1988 - MODIFY PORCH COLUMN & RAILING DESIGN TO MATCH ORIGINAL, ADD 2" Ø PIPE RAIL

PREPARED BY: C. ORIGATA  
THE OFFICE OF TIM ANDERSEN, ARCHITECTS  
25 N. MARENGO AVE., PASADENA, CA. 91101 (910) 797-8837

RENOVATION OF MASTY HALL FOR:  
CALIFORNIA COLLEGE OF ARTS AND CRAFTS  
6212 BROADWAY OAKLAND, CA. 94618 (415) 653-8118

20 MAY 1988

A-6  
AUG 1 1988



SOUTH ELEVATION  
1/4" = 1'-0"

22 JUNE 1988 - MODIFY PORCH COLUMN & RAILING DESIGN TO MATCH ORIGINAL - ADD 2" Ø PIPE RAIL

PREPARED BY: CORRIE  
THE OFFICE OF TIM ANDERSEN, ARCHITECTS  
28 N. MARINO AVE. PASADENA, CA. 91101 (818) 792-1974

RENOVATION OF MACKY HALL FOR:  
CALIFORNIA COLLEGE OF ARTS AND CRAFTS  
5212 BROADWAY, OAKLAND, CA. 94613 (415) 693-8118

25 MAY 1988

A-7  
AUG 1 1988