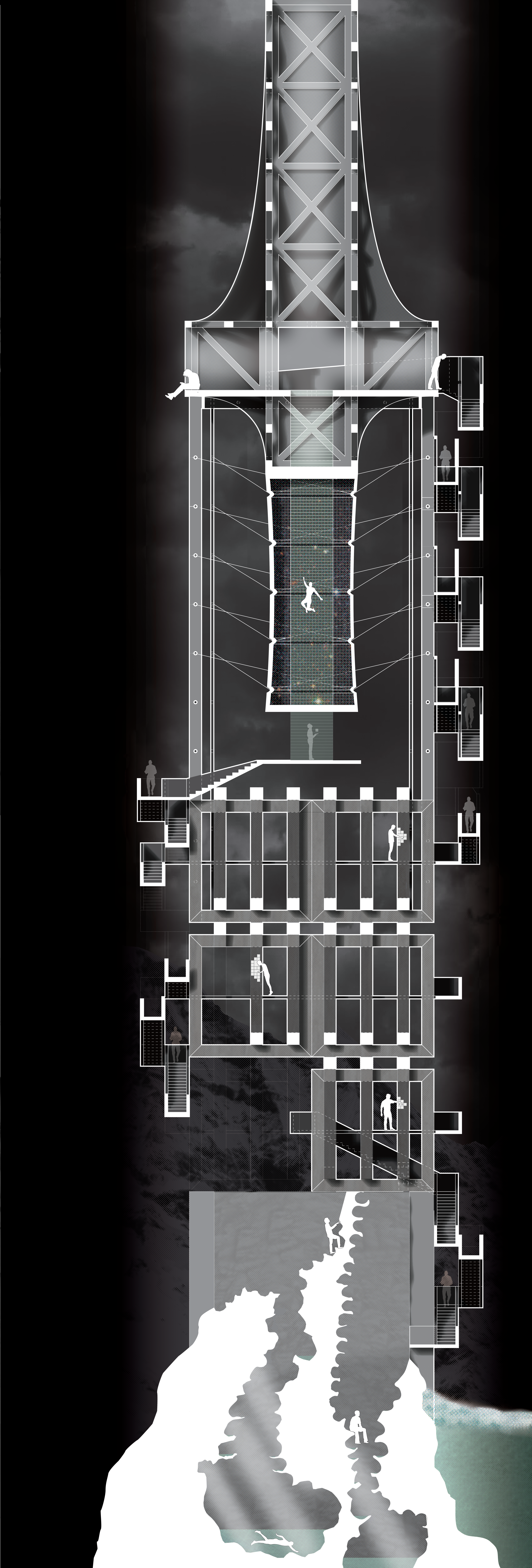




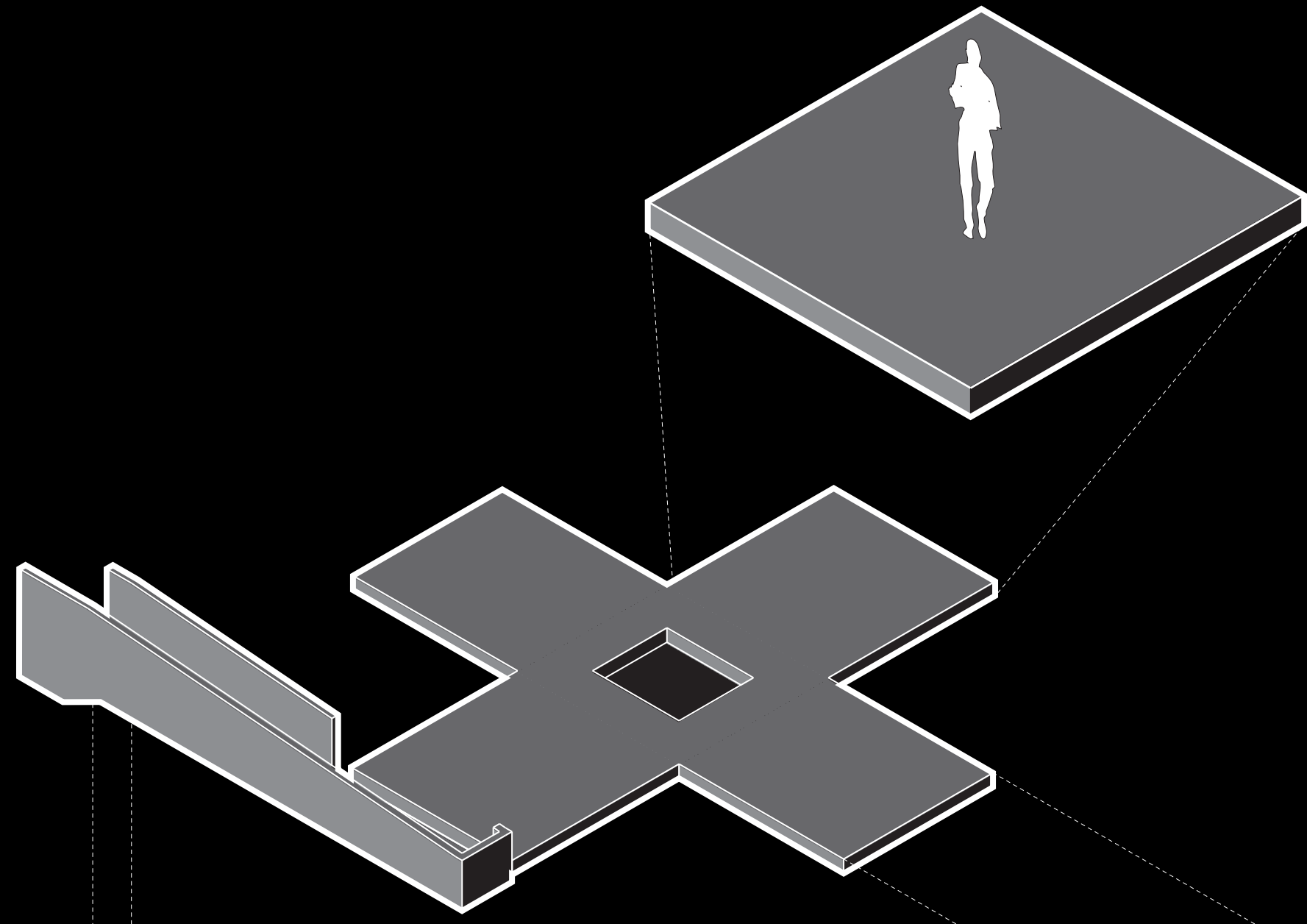
narrative drawing



section [1/4" = 1'-0"]

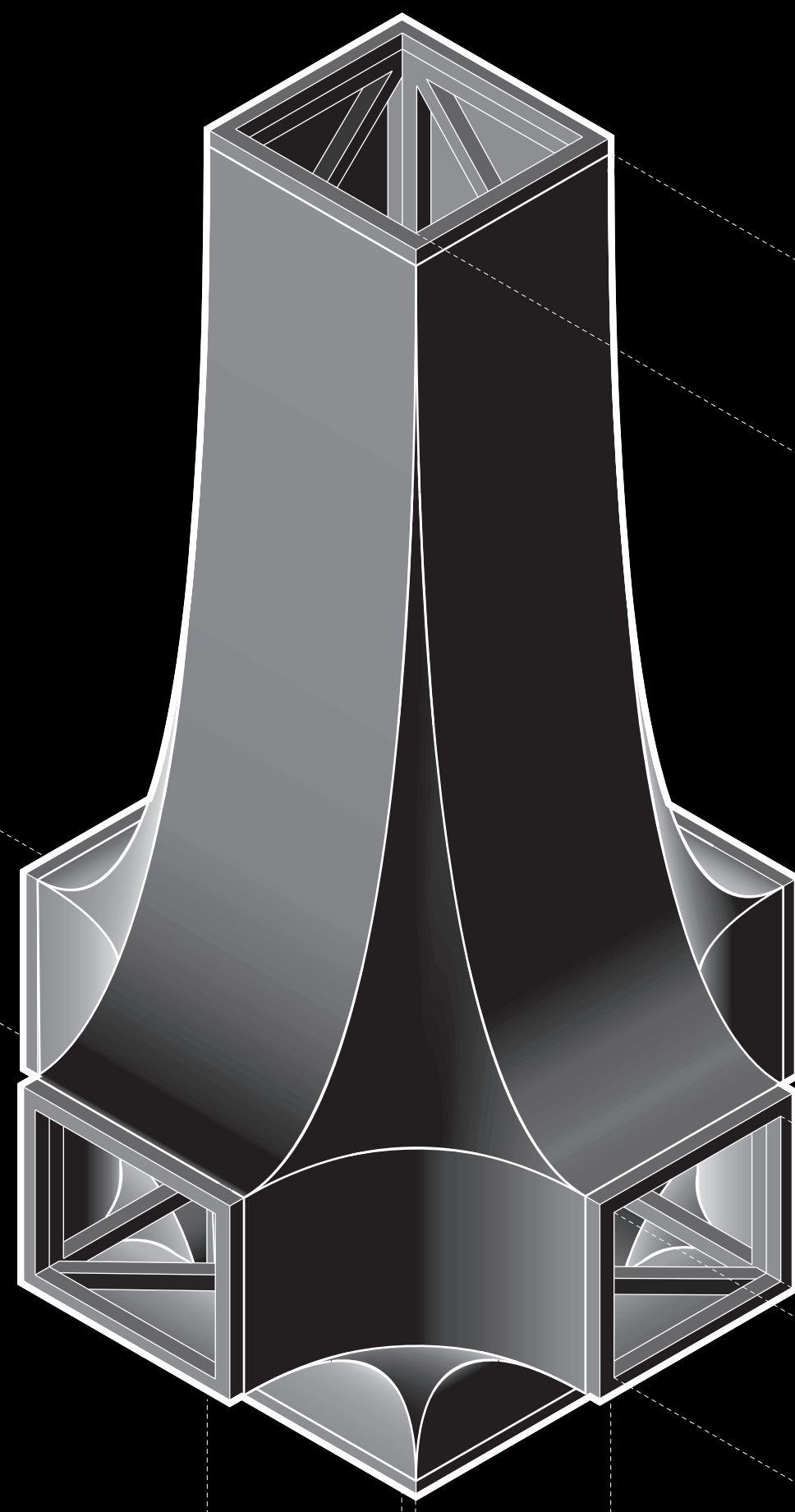
part 4 circulation properties:  
open + outwards

circulation enclosure (1/4" scale):  
0' - 0"

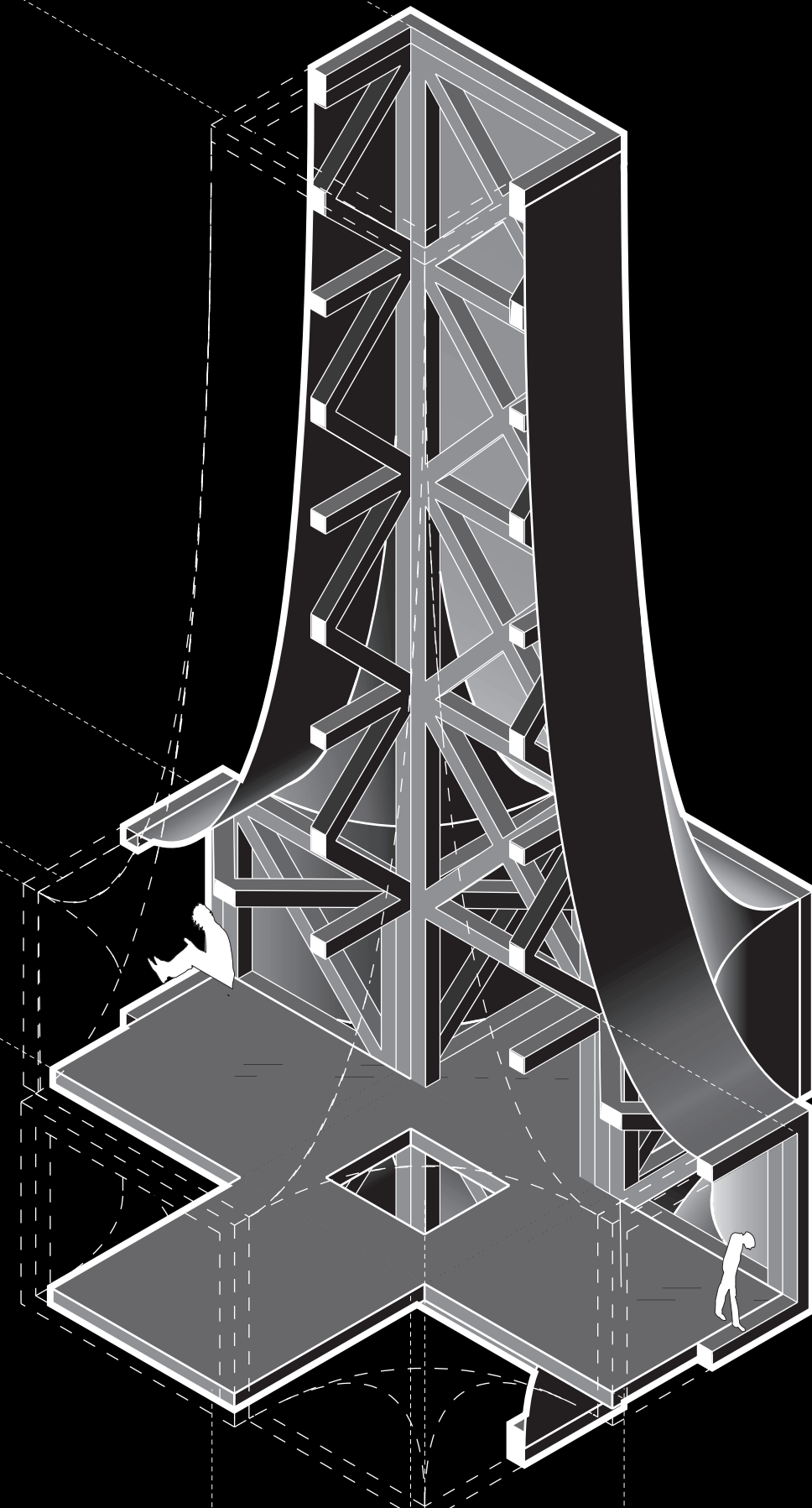


part 4

architectural principle: surface / depth  
material: 1/4" plywood + fabric  
program assignment: outlook

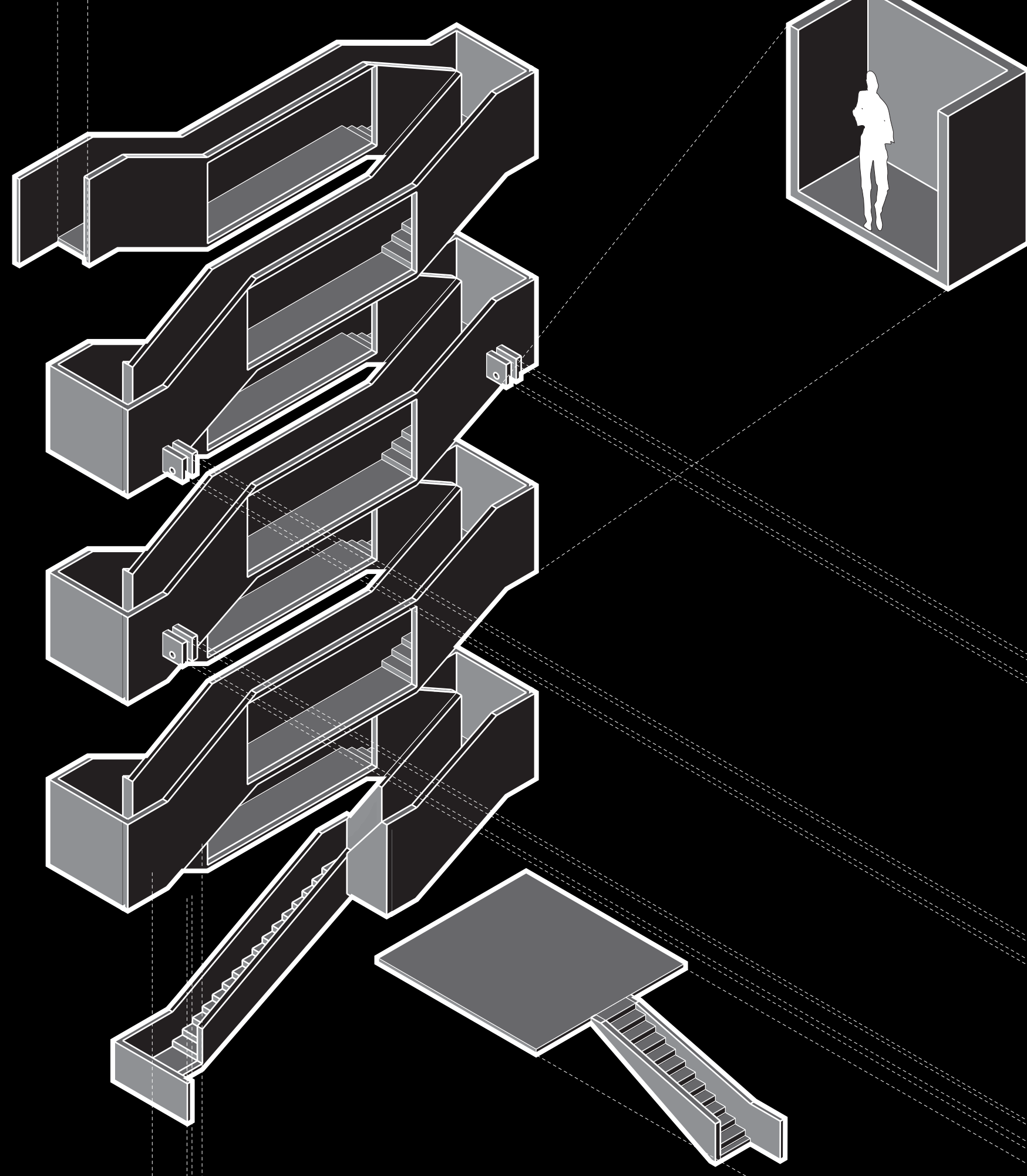


part 4 spatial properties:  
directionally upwards + outwards



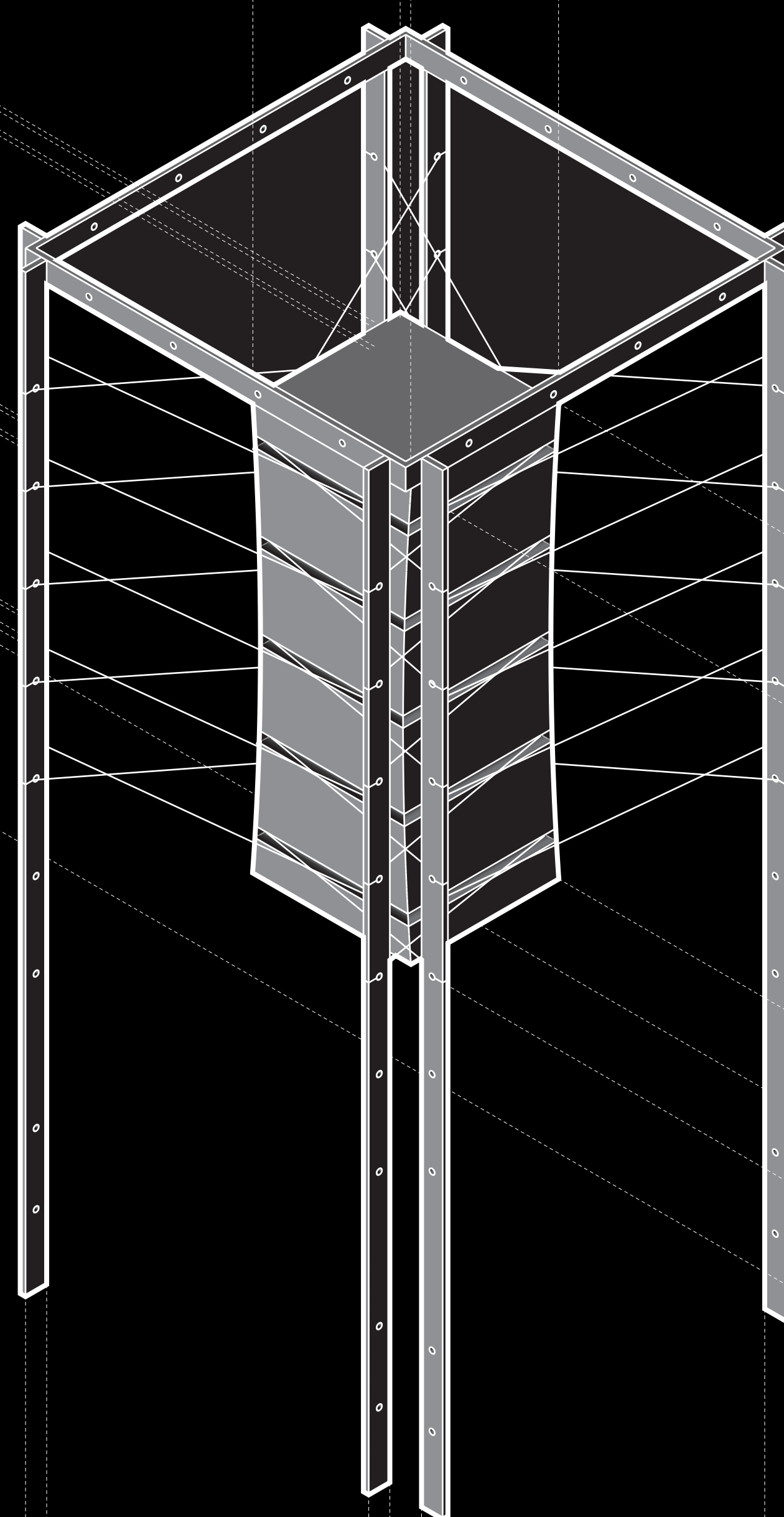
part 3 circulation properties:  
restricted + narrow path

circulation enclosure (1/4" scale):  
7' - 0"

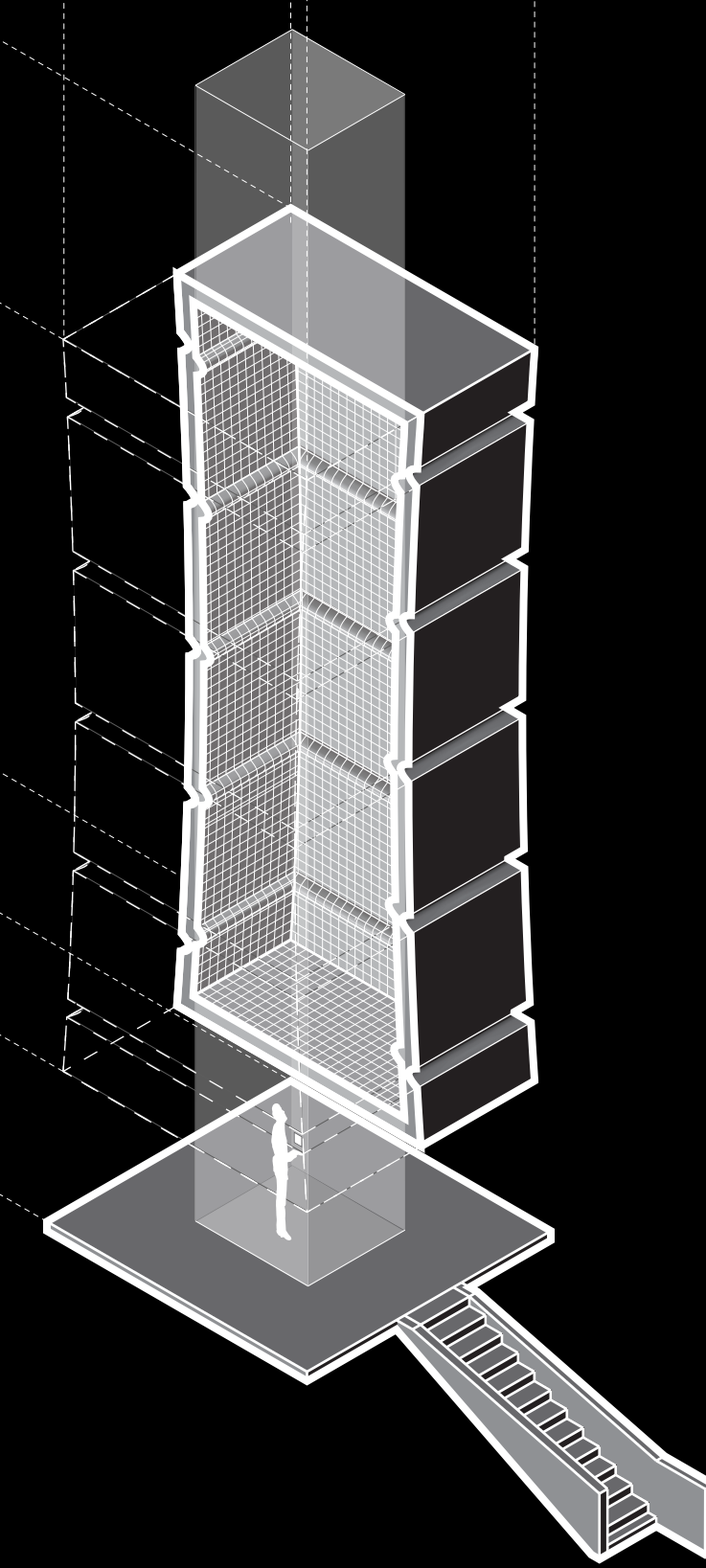


part 3

architectural principle: mass / frame  
material: flat-stock steel @ 1/2" + wood  
program assignment: memory chamber

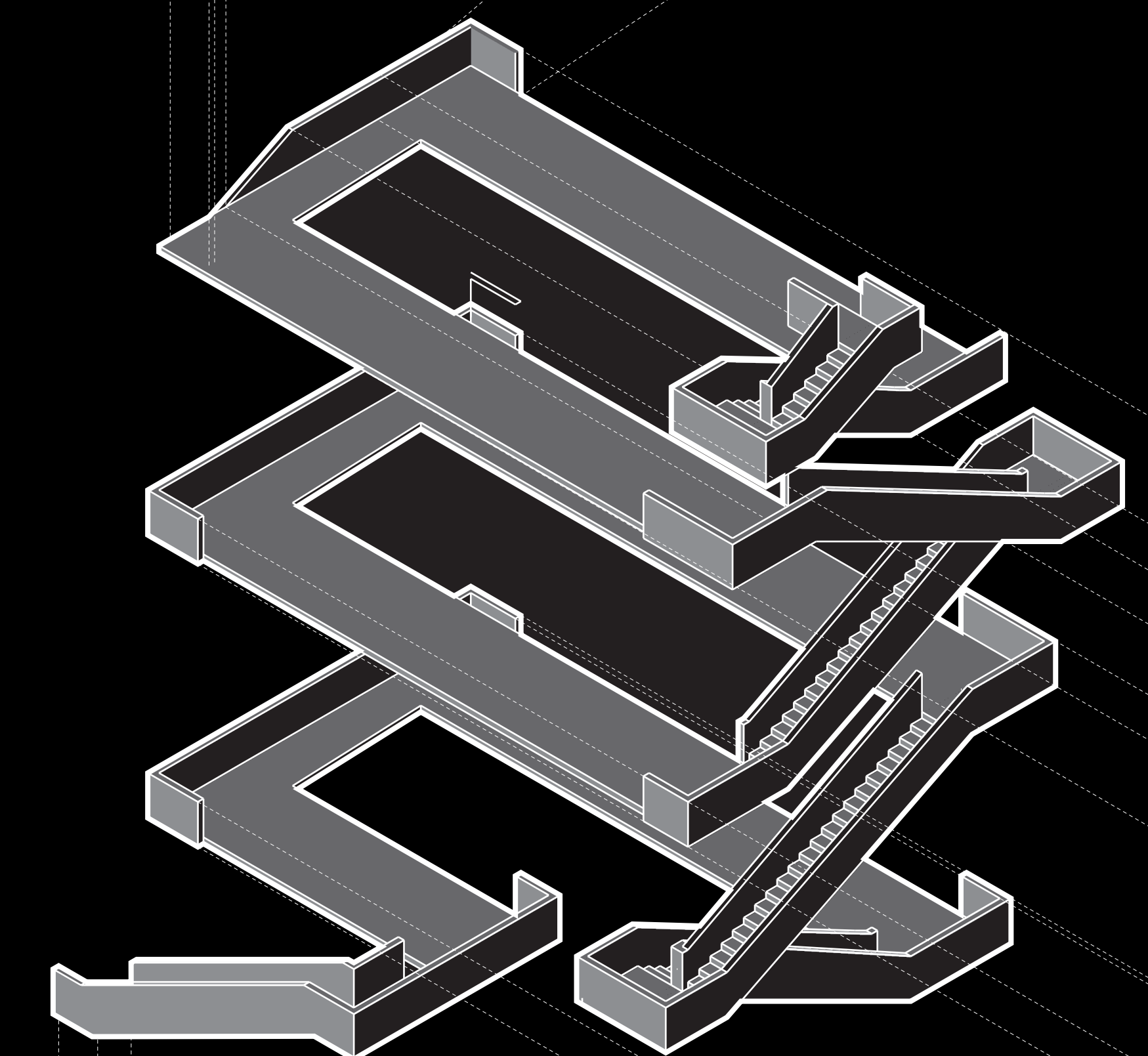


part 3 spatial properties:  
contained + inwards



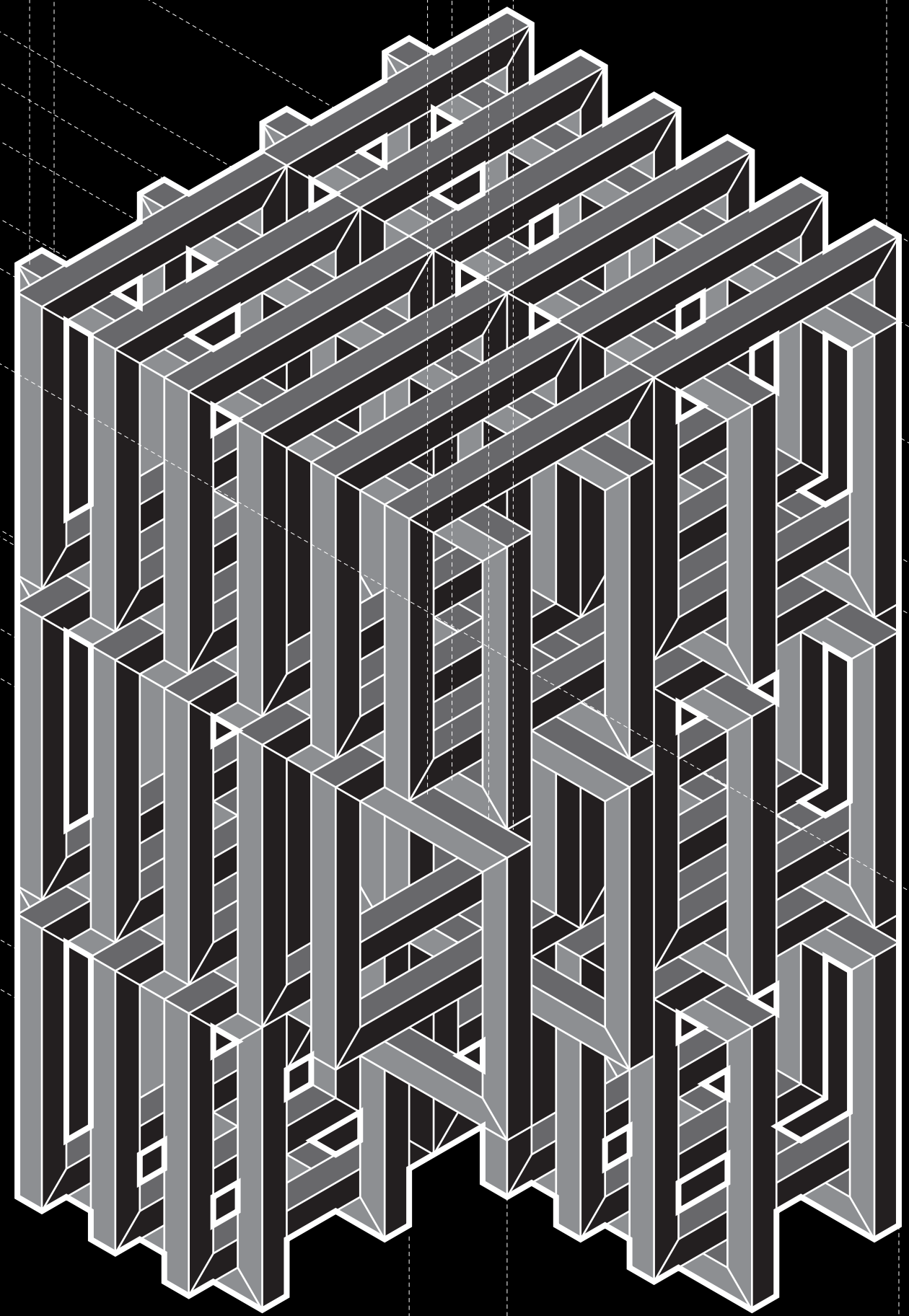
part 2 circulation properties:  
continuous + winding path

circulation enclosure (1/4" scale):  
3' - 0"

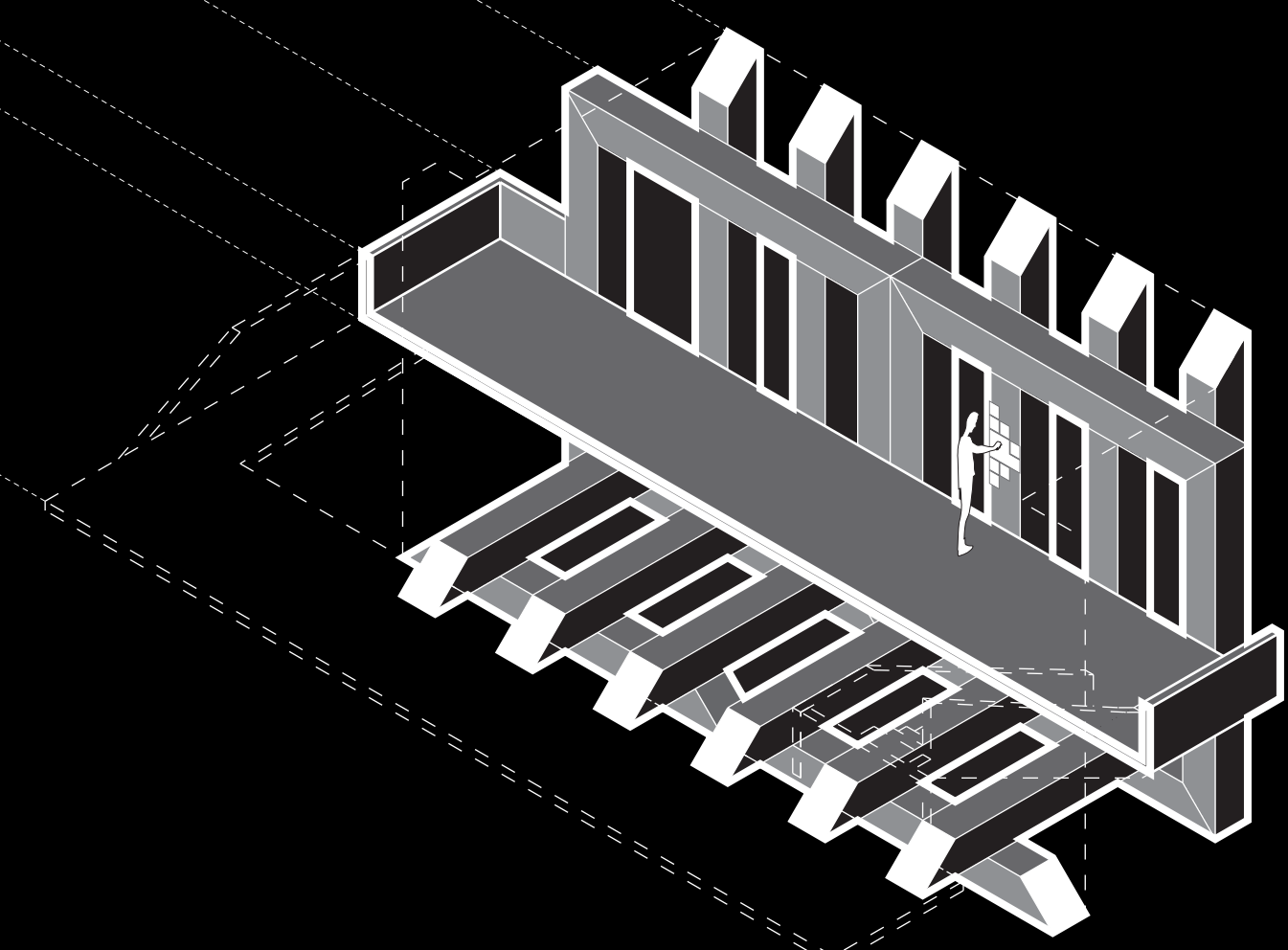


part 2

architectural principle: part / whole  
material: 1/2" plywood  
program assignment: memory library

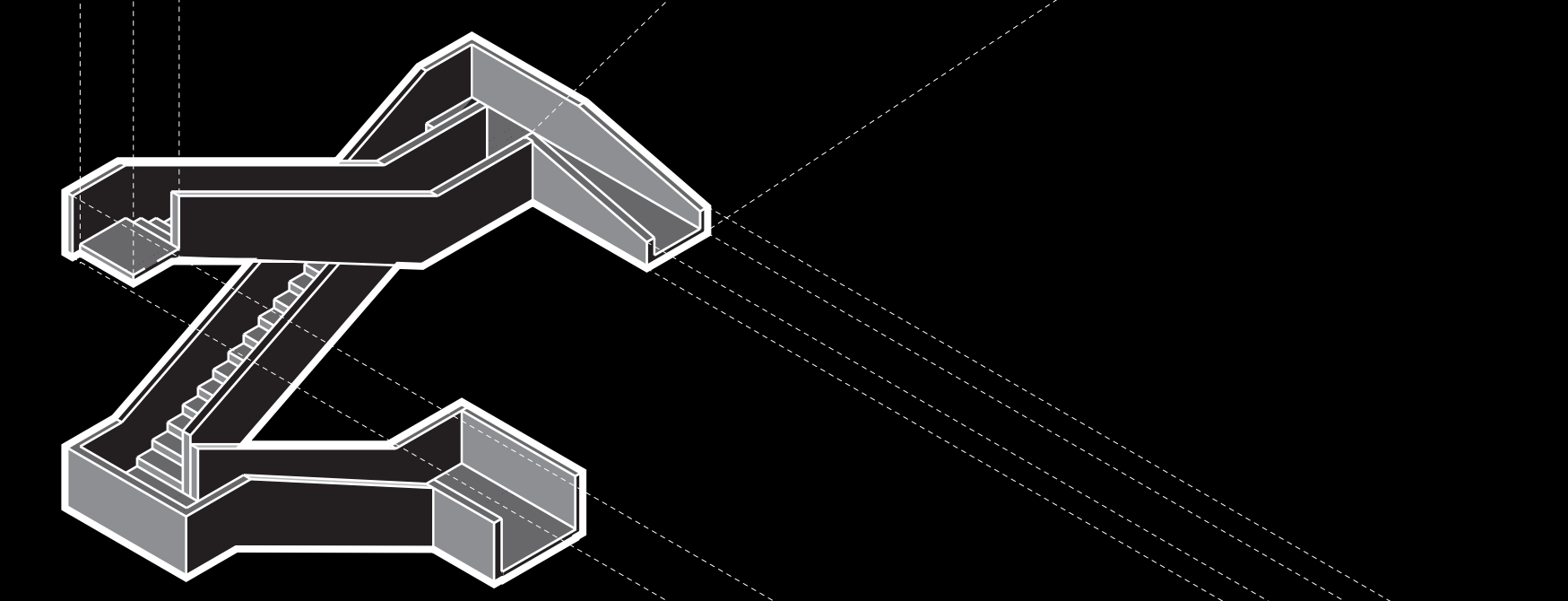


part 2 spatial properties:  
rectilinear + repetitive



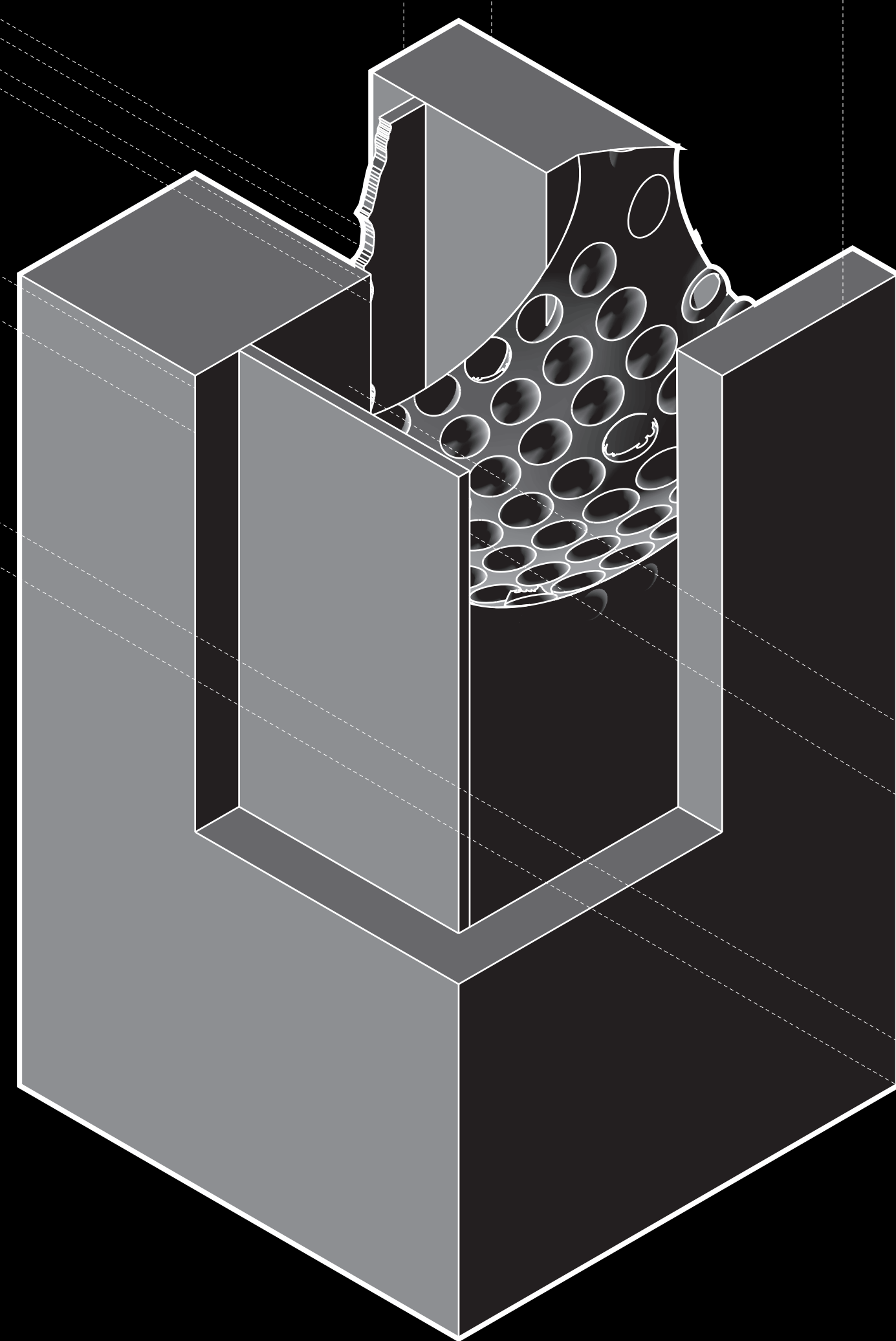
part 1 circulation properties:  
inviting yet directional

circulation enclosure (1/4" scale):  
3' - 0" to 1' - 0"



part 1

architectural principle: solid / void  
material: concrete  
program assignment: memory cavern



part 1 spatial properties:  
cavernous + organic

